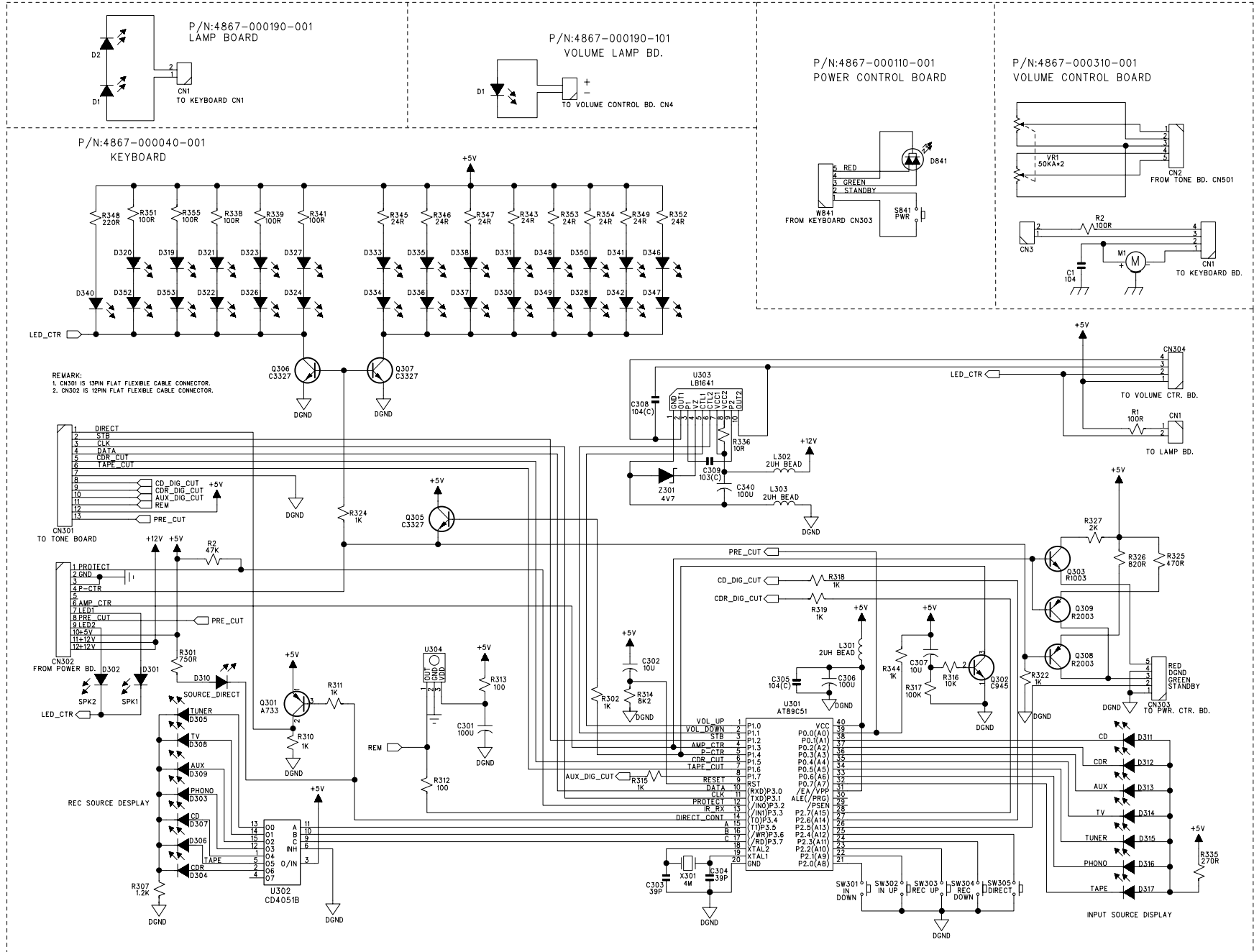


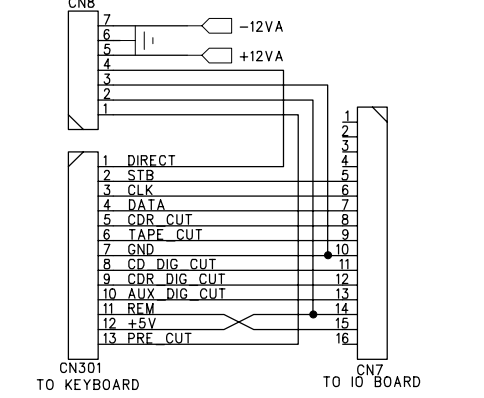
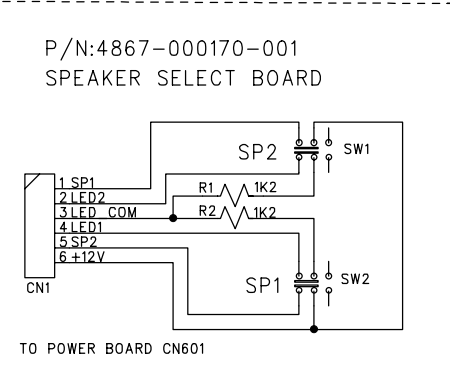
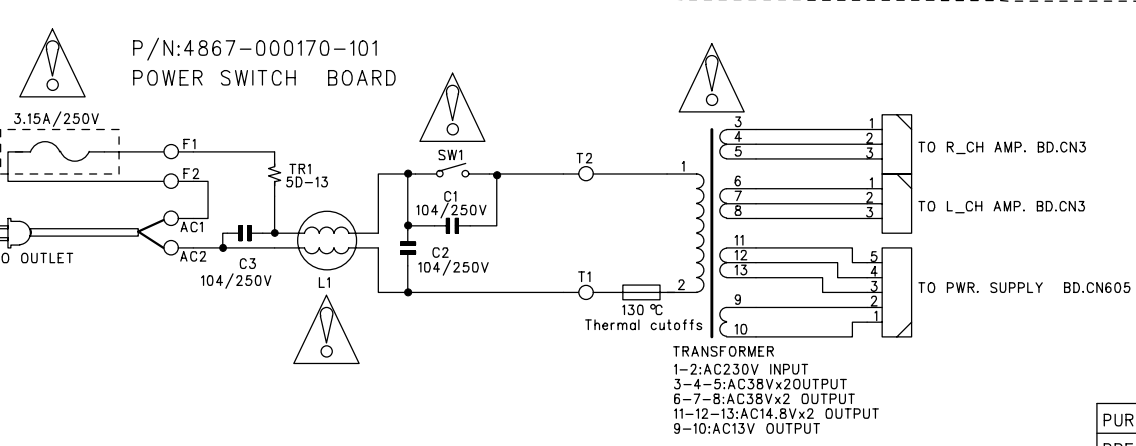
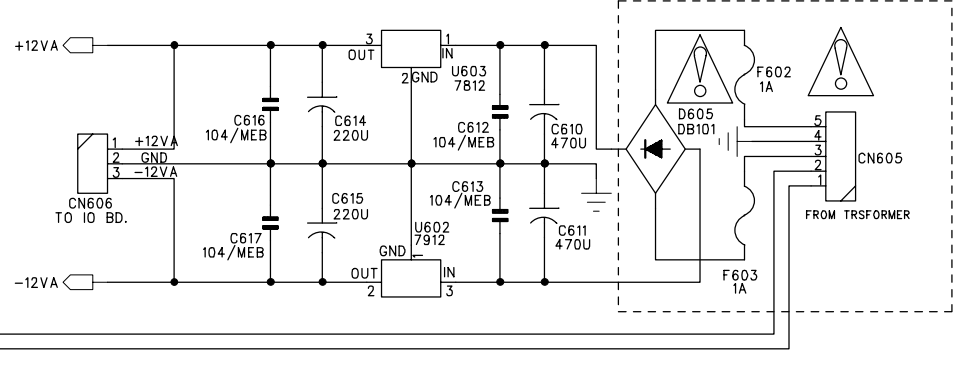
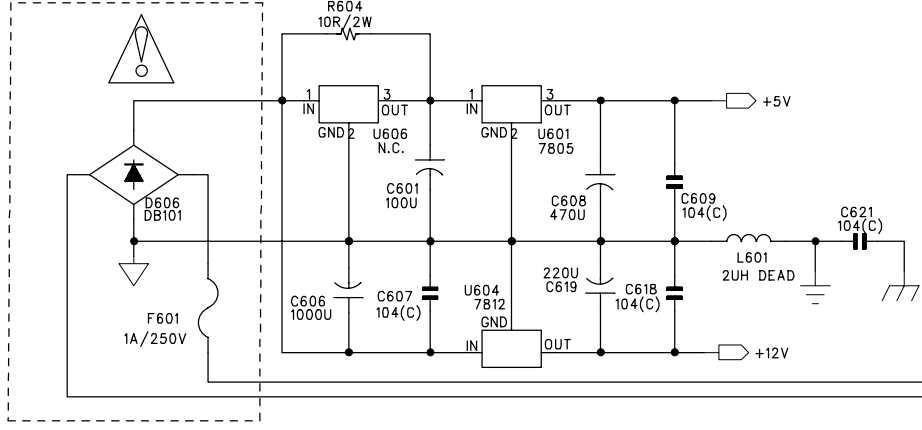
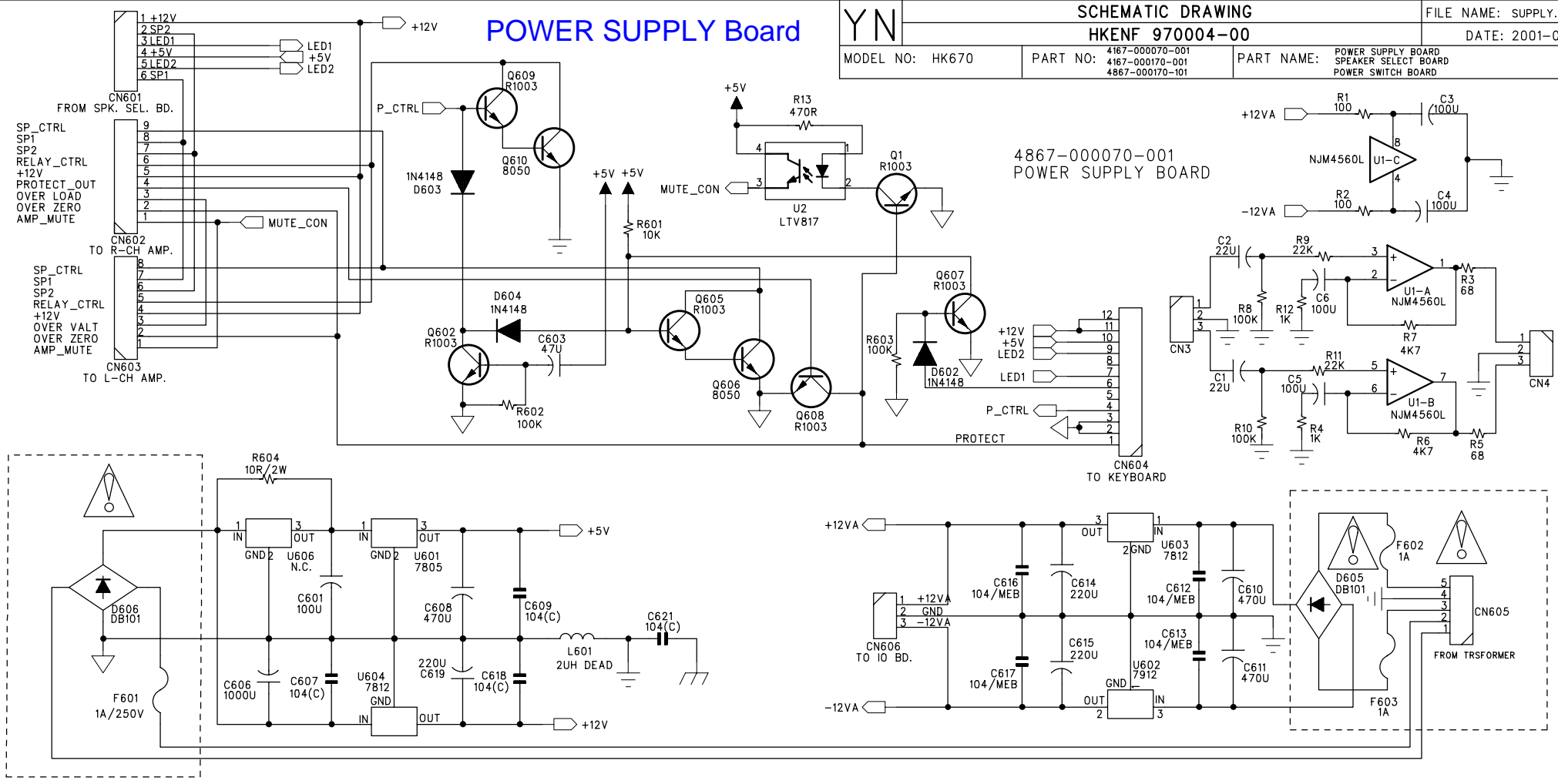
KEY Control Board

Y/N		SCHEMATIC DRAWING HKENF 970004-00		FILE NAME: KEYBOARD.SCH
MODEL NO: HK670	PART NO: 4867-000045-001 4867-000190-001 4867-000310-001 4867-000190-101	PART NAME: KEYBOARD POWER CONTROL BOARD VOLUME CONTROL BOARD LAMP BOARD VOLUME LAMP	DATE: 2001-07-14	



REMARK:
1. CN301 IS 13PIN FLAT FLEXIBLE CABLE CONNECTOR.
2. CN302 IS 12PIN FLAT FLEXIBLE CABLE CONNECTOR.

POWER SUPPLY Board



DIGITAL INPUT / OUTPUT Board

YN

SCHEMATIC DRAWING

FILE NAME: DIGITAL.SCH

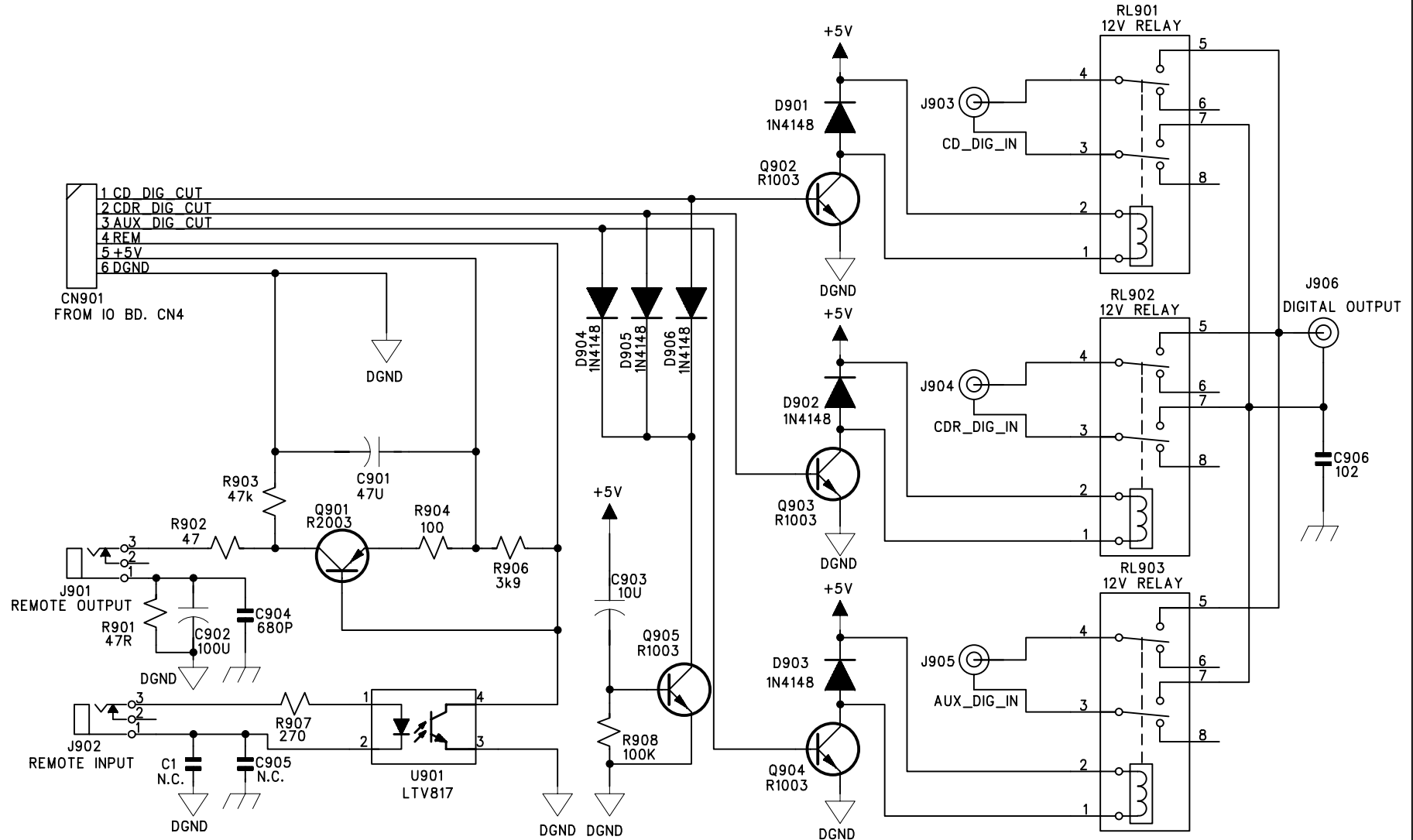
HKENF 970004-00

DATE: 2001-07-14

MODEL NO: HK670

PART NO: 4867-000290-001

PART NAME: DIGITAL CONTROL BOARD



PURPOSE: SAMPLE MAKING	PRODUCTION	<input checked="" type="checkbox"/> SHEET 1 OF 1	REV A
PREPARED BY:	CHECKED BY:	APPROVED BY:	

TONE CONTROL Board

YN

SCHEMATIC DRAWING

FILE NAME: TONE.SCH

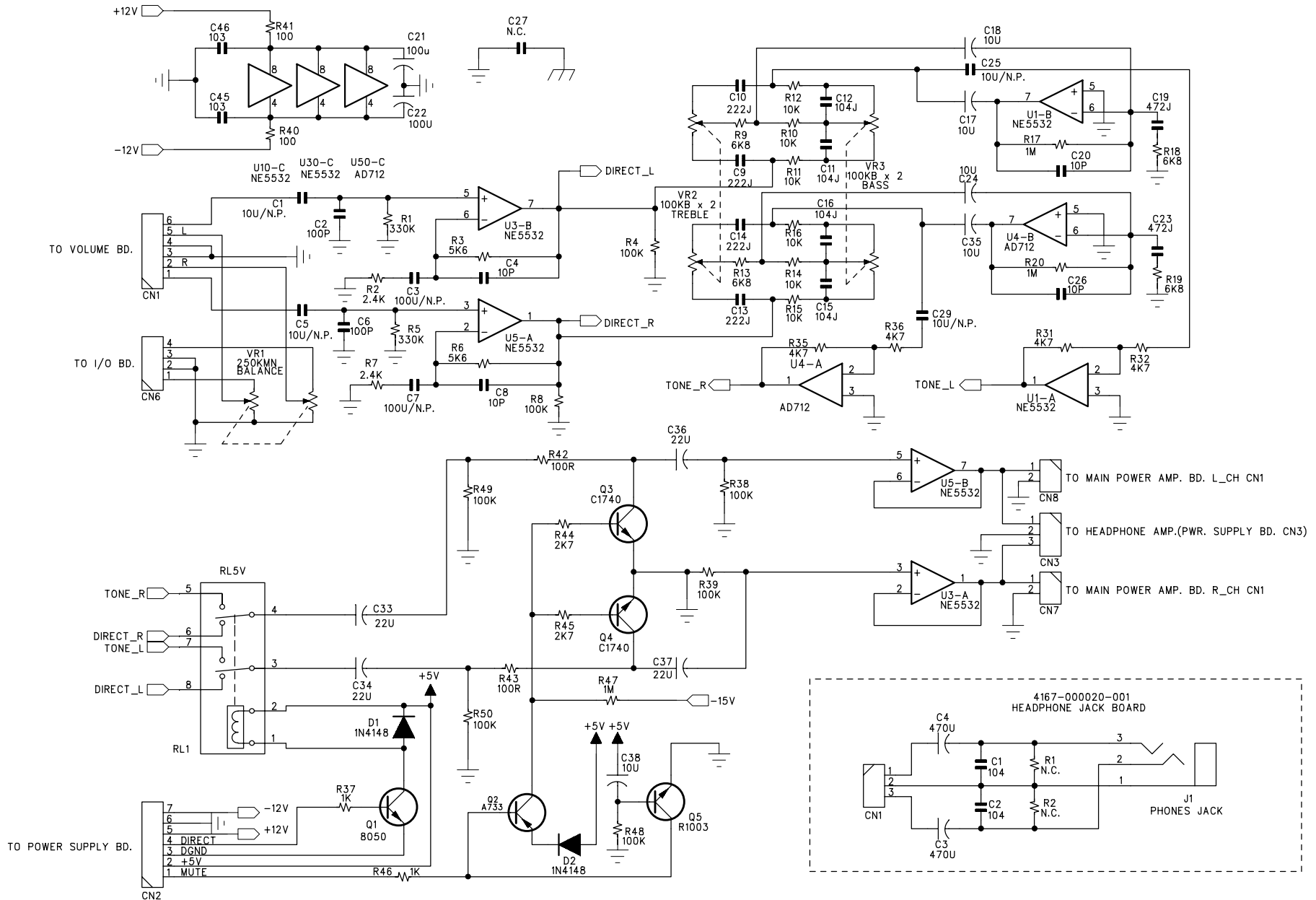
HKENF 970004-00

DATE: 2001-07-14

MODEL NO: HK670

PART NO: 4167-000120-001
4167-000020-001

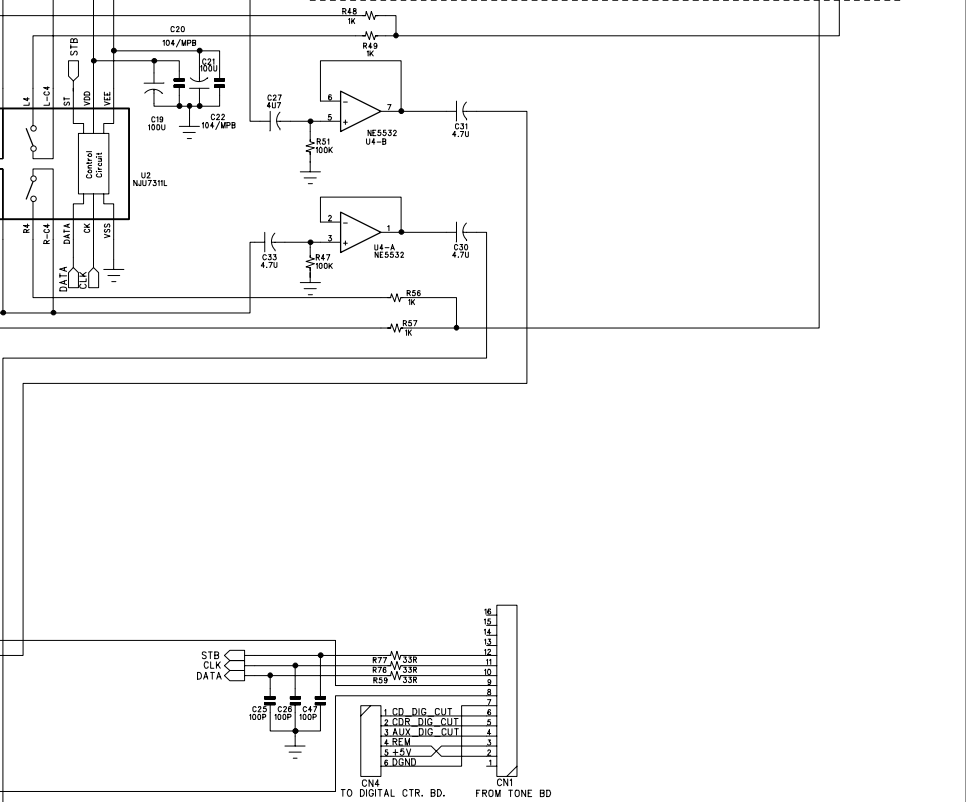
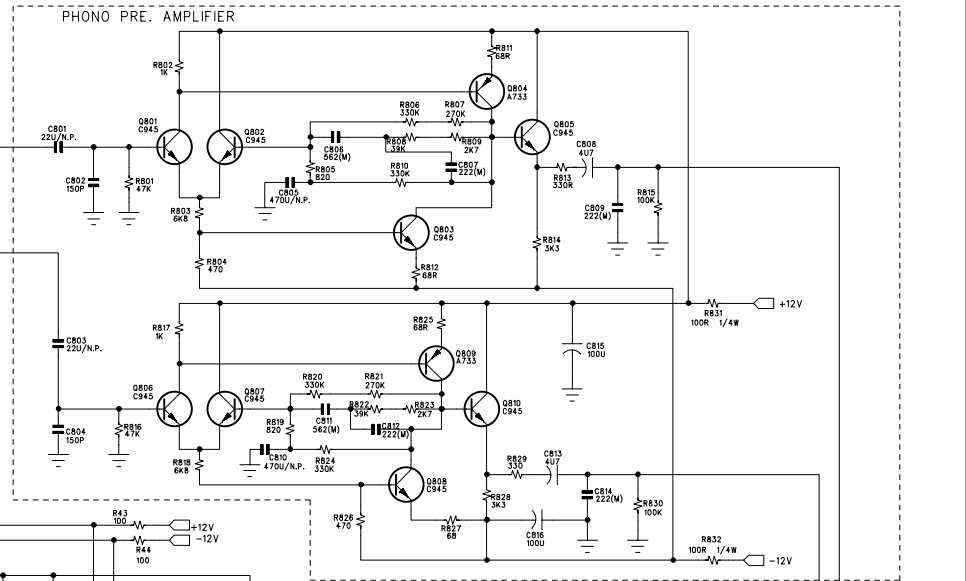
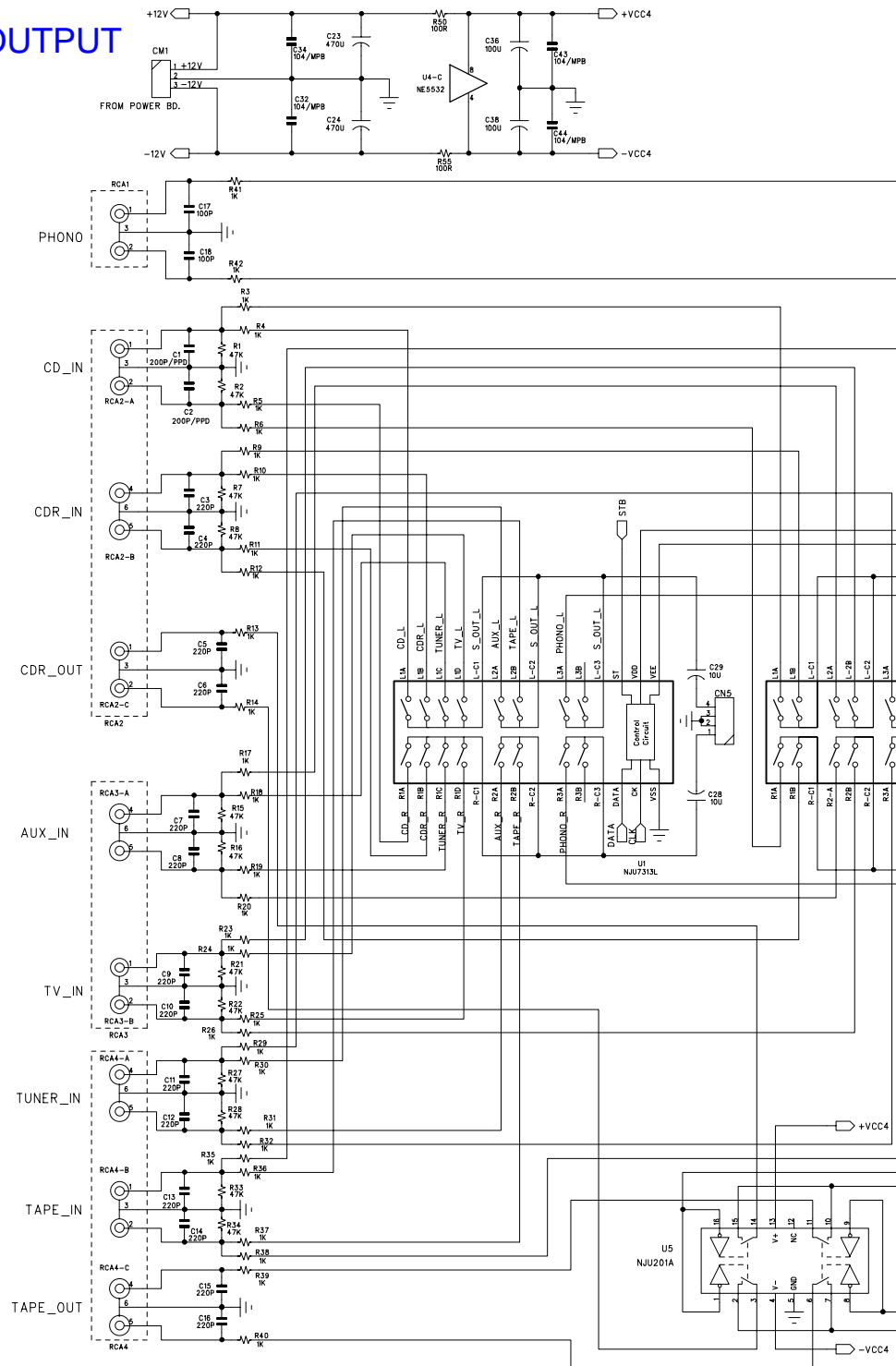
PART NAME: TONE CONTROL BOARD
HEADPHONE JACK BOARD



TONE CONTROL:
BASS:50Hz SINEWAVE FOR REFERENCE.
TREBLE:10KHz SINEWAVE FOR REFERENCE.

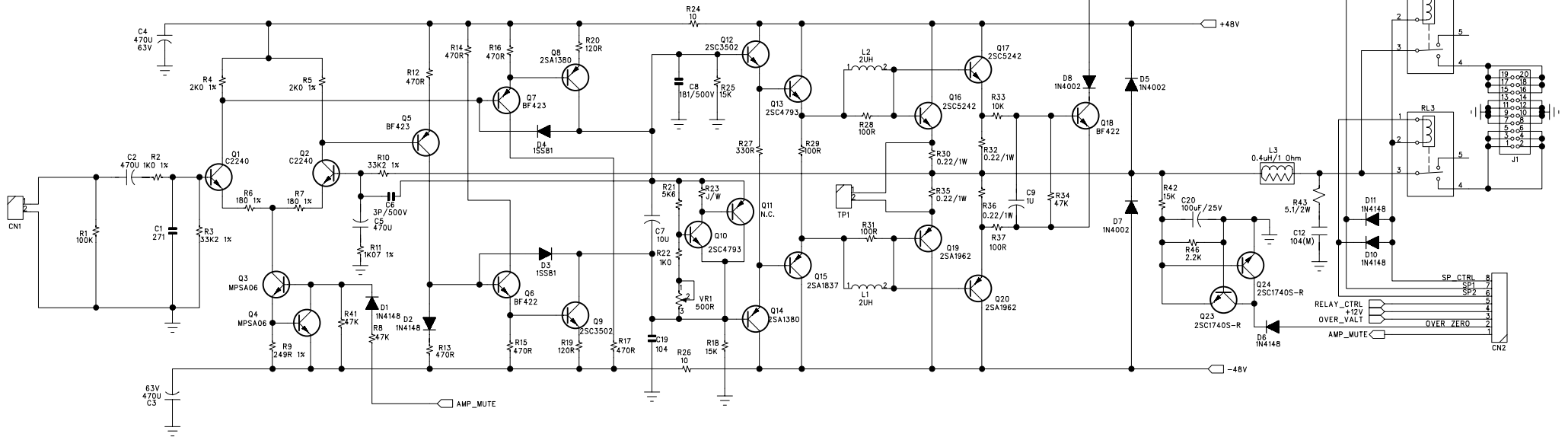
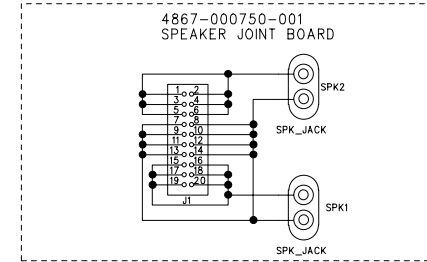
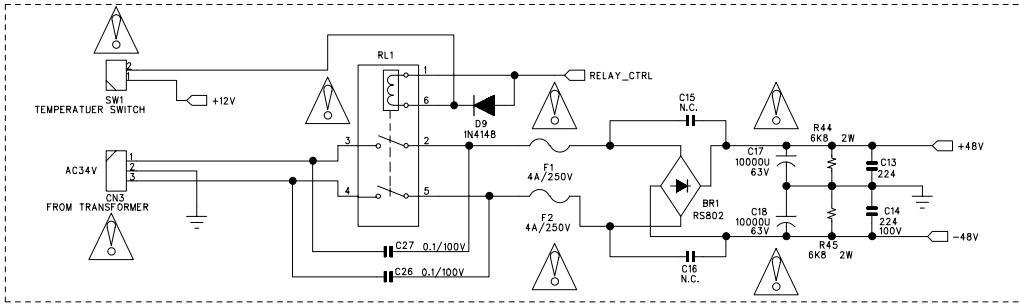
PURPOSE: SAMPLE MAKING	PRODUCTION	SHEET 1 OF 1	REV A
PREPARED BY:	CHECKED BY:	APPROVED BY:	

INPUT / OUTPUT Board



LEFT AMP Board

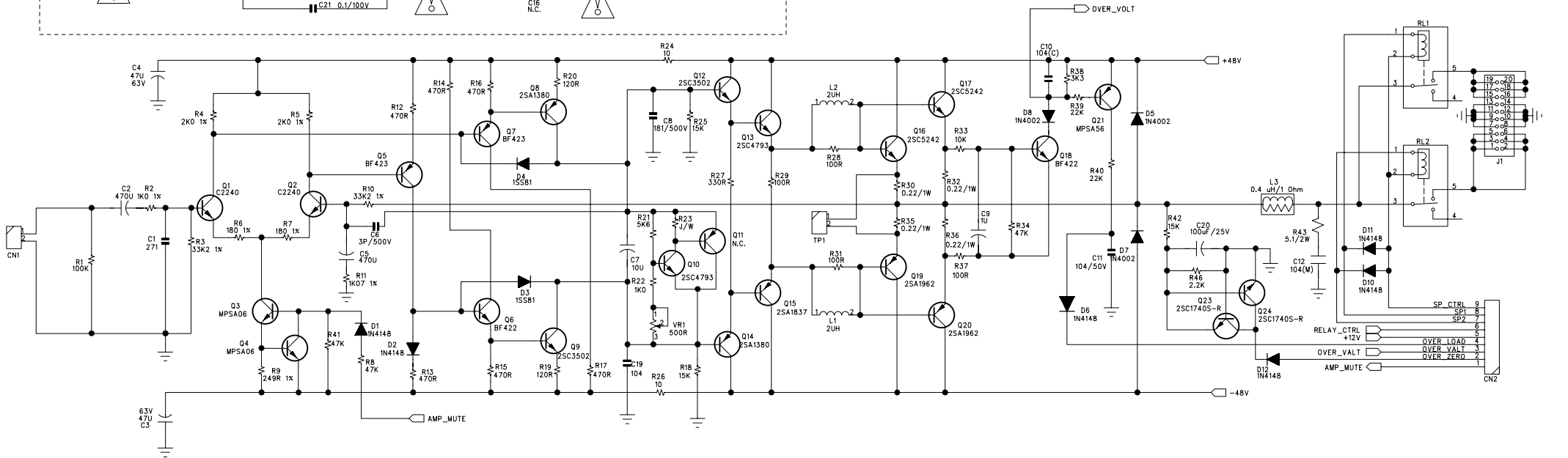
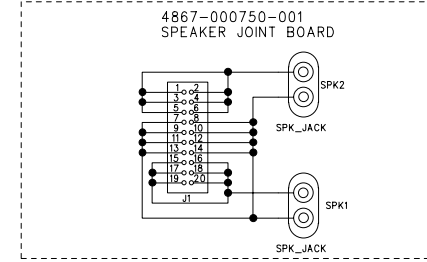
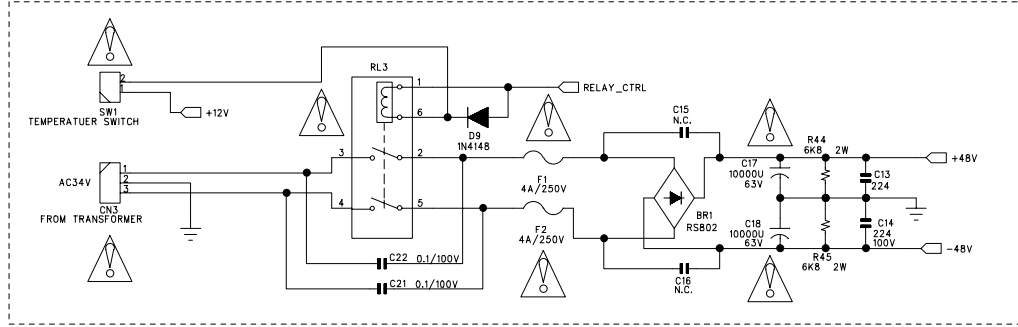
YN		SCHEMATIC DRAWING		FILE NAME: LEFTAMP.SCH	
		HKENF 970004-00		DATE: 2001-07-14	
MODEL NO: HK670	PART NO: 4867-000090-101	PART NAME: LEFT CHANNEL POWER AMPLIFIER			
	4867-000750-001	SPEAKER JOINT BOARD			



PURPOSE: SAMPLE MAKING	PRODUCTION	<input checked="" type="checkbox"/> SHEET 1 OF 1	REV A
PREPARED BY:	CHECKED BY:	APPROVED BY:	

RIGHT AMP Board

YN		SCHEMATIC DRAWING		FILE NAME: RIGHTAMP.SCH
MODEL NO: HK670		HKENF 970004-00		DATE: 2001-07-14
PART NO: 4867-000090-001		PART NAME: RIGHT CHANNEL POWER AMPLIFIER		
4867-000750-001		SPEAKER JOINT BOARD		



REMOTE SENSOR Board

YN

SCHMATIC DRAWING

FILE NAME: REMOTE.SCH

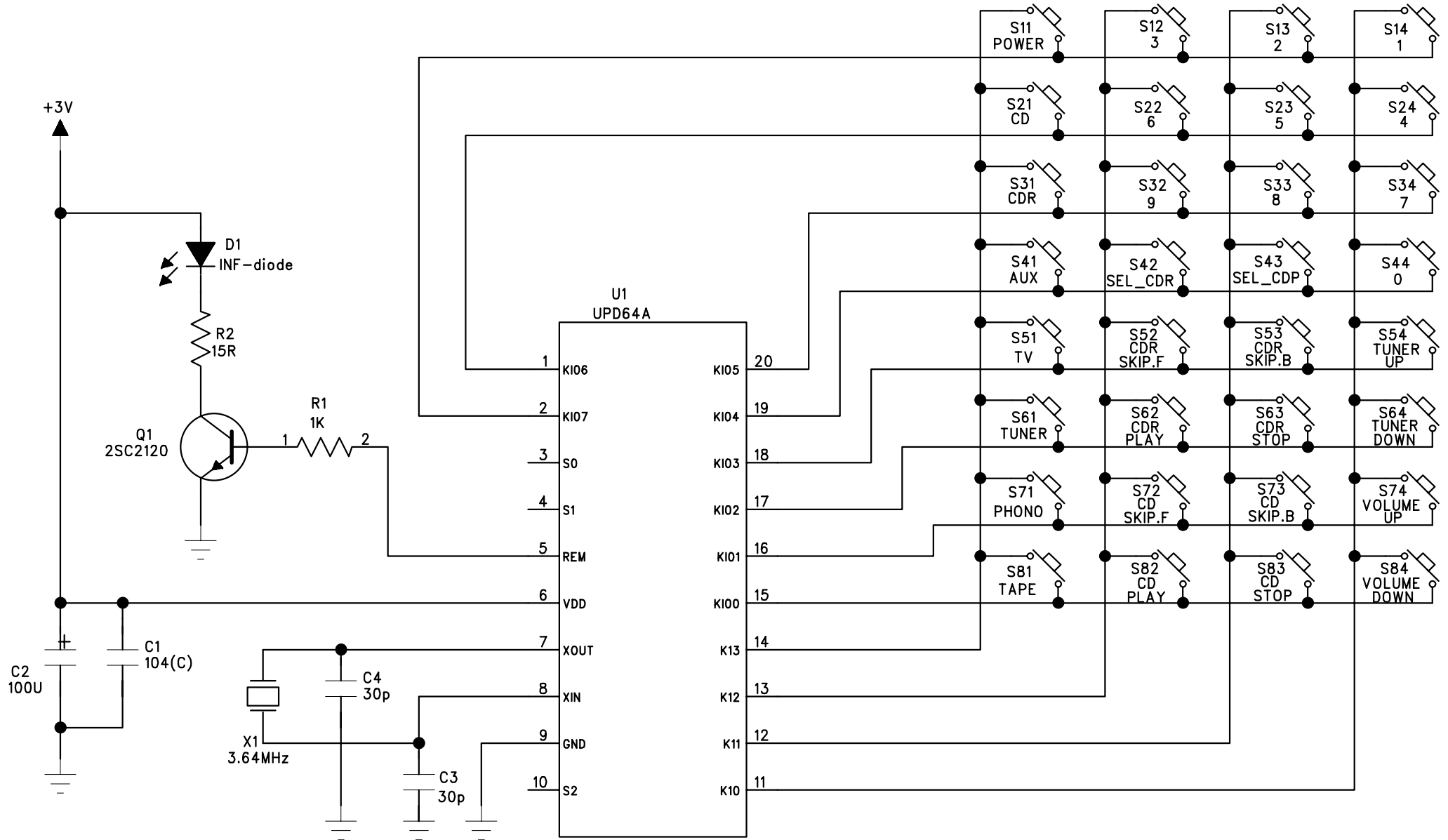
HKENF 970004-00

DATE: 2001-07-15

MODEL NO: HK670

PART NO: 4867-150080-001

PART NAME: REMOTE BOARD



PURPOSE: SAMPLE MAKING

PRODUCTION

SHEET 1 OF 1 REV A

PREPARED BY:

CHECKED BY:

APPROVED BY: